

SITTE OFFICE

CLIENT: **ROYAL GOVERNMENT OF BHUTAN**



DESIGN CONSULTANT:



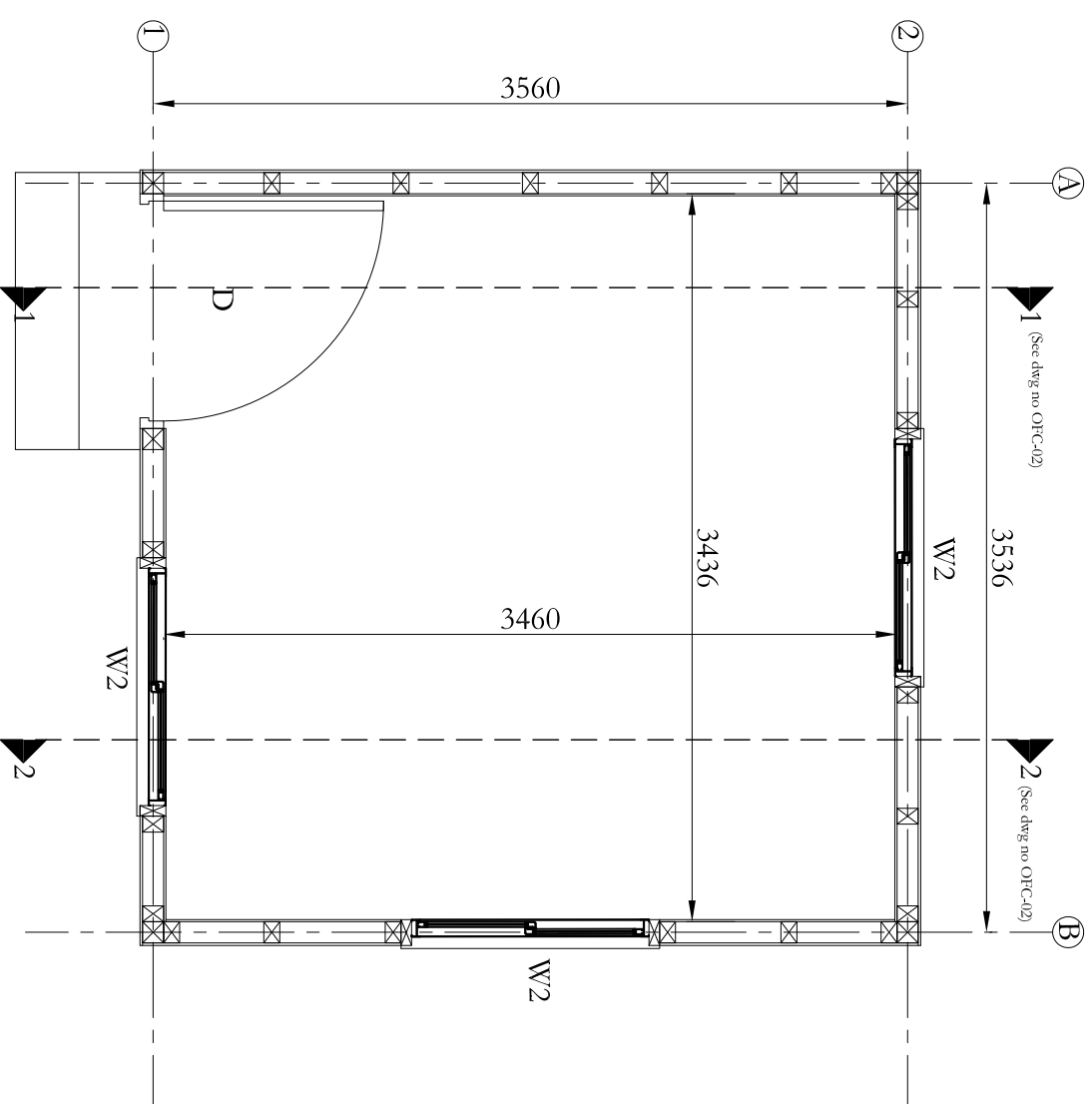
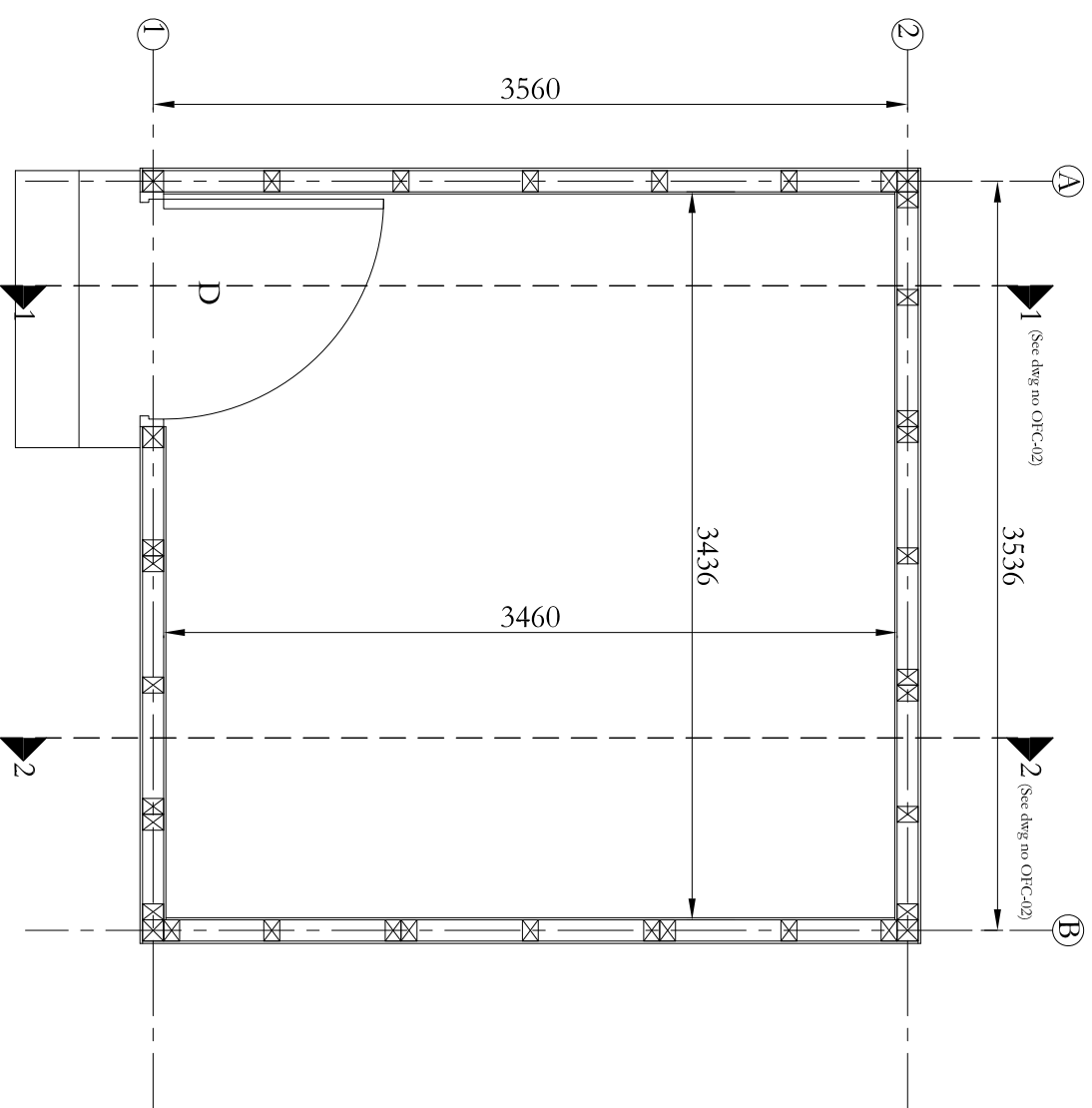
L&T Infra

In JV

L&T INFRASTRUCTURE ENGINEERING LTD
TC 2 BUILDING, 3rd FLOOR,
MOUNT POONAMALLEE ROAD,
MANAPAKKAM, P.B.NO.979, CHENNAI - 600 089
E-mail: roads@lntiel.com, Website: www.lntiel.com



UNITED CONSULTANCY
61, JANGSAM LAM, CHANGANGKHA,
THIMPHU, BHUTAN
PH: (+975- 2)-3326776 FAX NO:-323884
E-mail: ucsosnam@gmail.com



- NOTES:**
- All dimensions are in mm.
 - All grid lines are wrt superstructure wall center lines.
 - All levels are in meters.
 - Drawings not to be scaled and written dimensions to be followed.

- Finishing Schedule:**
- Exterior wall face- 12 mm thk Phenol bonded plywood screwed to wall studs with counter sunk screw heads @ 300 mm c/c max
 - Interior wall face- 12 mm thk commercial plywood screwed to wall studs with counter sunk screw heads @ 300 mm c/c max
 - Interior ceiling and roof soffit ceiling- 6 mm thk commercial plywood screwed to wall studs with counter sunk screw heads @ 300 mm c/c max
 - Exterior Wall face below floor and above ground and steps- Cement plaster in CM 1:3
 - Flooring- Cement plaster in CM 1:3
 - Windows- Anodised aluminium frame with 6 mm thk glass glazing
 - Door- 45 mm thick Flushed door with 6 mm thk commercial plywood.
 - Electrical works-
 - 4 nos power socket inside hall
 - 1 no bulb point outside entrance ceiling
 - 2 nos tube light inside the hall
 - switches as required

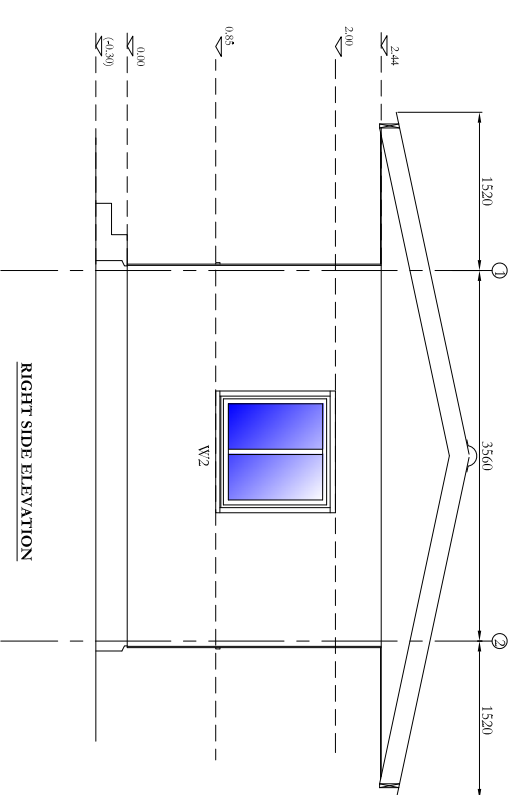
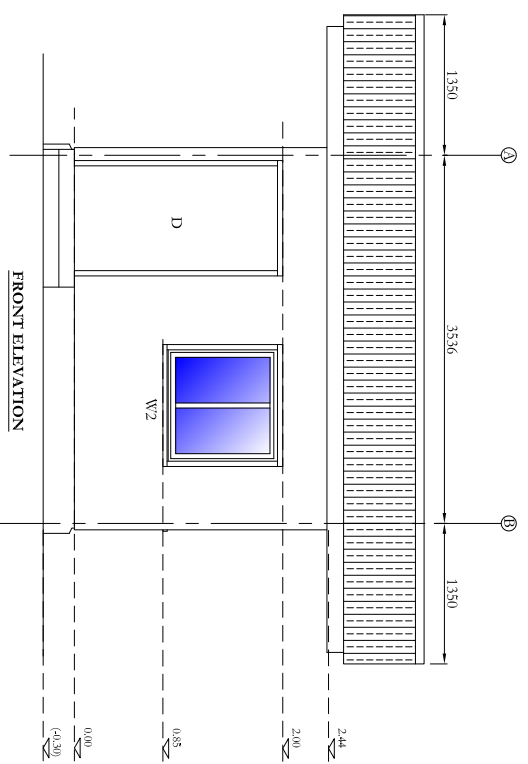
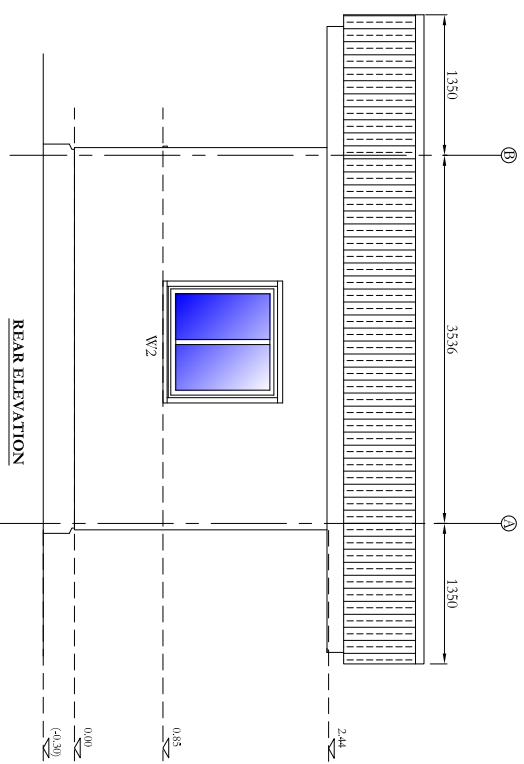
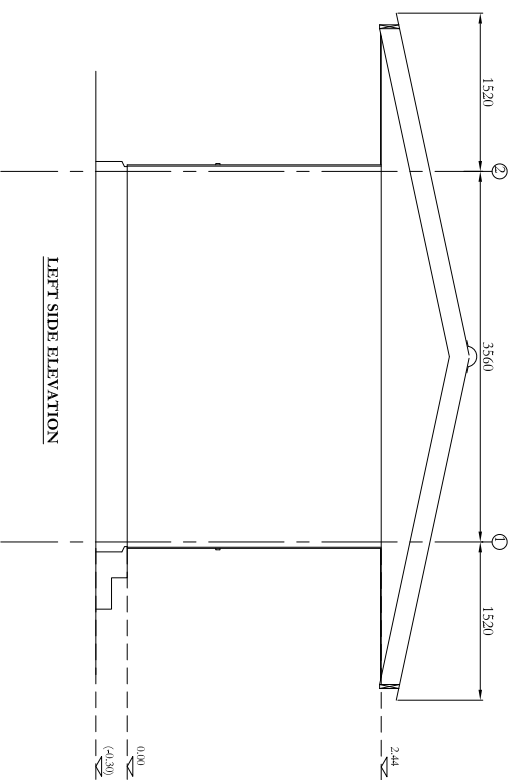
This drawing is the property of L&T Infrastructure Engineering Ltd. and shall not be passed on to any person or body not authorised by us to receive it nor be copied or otherwise made use of either in full or in part by such person or body without our prior permission in writing.

CLIENT: ROYAL GOVERNMENT OF BHUTAN
 DESIGN CONSULTANT: L&T Infra
 L&T Infra
 167 TEMA STREET, ENGINEERING LTD.
 MOUNTPOONMAYALEE ROAD,
 THIMPHU, BHUTAN
 T: +975 9747 1111
 F: +975 9747 1111
 E: info@l&tinfra.com, website.l&tinfra.com

ROYAL GOVERNMENT OF BHUTAN
 Department of Air Transport | Ministry of Information and Communications
 In JV With
 UNITED CONSULTANCY
 61, LANGSAM TANG, CHANGANGKHA
 THIMPHU, BHUTAN
 TEL: +975 9747 1111
 FAX: NO. 32884
 Email: ucsc@united.com

PROJECT: DESIGN OF RESURFACING AND EXTENSION OF RUNWAY AT BUNTHANG DOMESTIC AIRPORT
 CLIENT: DEPARTMENT OF AIR TRANSPORT (DOAT), MINISTRY OF INFORMATION AND COMMUNICATIONS, ROYAL GOVERNMENT OF BHUTAN

DRAWING: SITE OFFICE
 TITLE: FLOOR PLAN
 PROJECT NO:
 DATE: AUG, 2021
 MADE:
 DWG NO: OFC-01
 REV:



NOTES:

1. All dimensions are in mm.
2. All grid lines are wrt superstructure wall center lines.
3. All levels are in meters.
4. Drawings not to be scaled and written dimensions to be followed.

This drawing is the property of **L&T Infrastructure Engineering Ltd.** and shall not be used or reproduced in any form without the prior written permission of the company. It is not to be copied or otherwise made use of either in full or in part by such person or body without our prior permission in writing.

CLIENT: **ROYAL GOVERNMENT OF BHUTAN**
 Department of Air Transport | Ministry of Information and Communications

DESIGN CONSULTANT:
L&T Infra
 L&T Infrastructure Engineering Ltd.
 7C2 BELUR ROAD, BANGALORE, KARNATAKA, INDIA
 E-mail: info@l&tinfra.com, marketing@l&tinfra.com

In JV With
UNITED CONSULTANCY
 61, JANGSAL TANK CHANGANGWAH, THIMPHU, BHUTAN
 TEL: +975 3122 1111 FAX NO: 323884
 E-mail: uc@unitedconsultancy.com

PROJECT: **DESIGN OF RESURFACING AND EXTENSION OF RUNWAY AT BUNTHANG DOMESTIC AIRPORT**

CLIENT: **DEPARTMENT OF AIR TRANSPORT (DOAT), MINISTRY OF INFORMATION AND COMMUNICATIONS, ROYAL GOVERNMENT OF BHUTAN**

DRAWING: **SITE OFFICE**

TITLE: **ELEVATIONS**

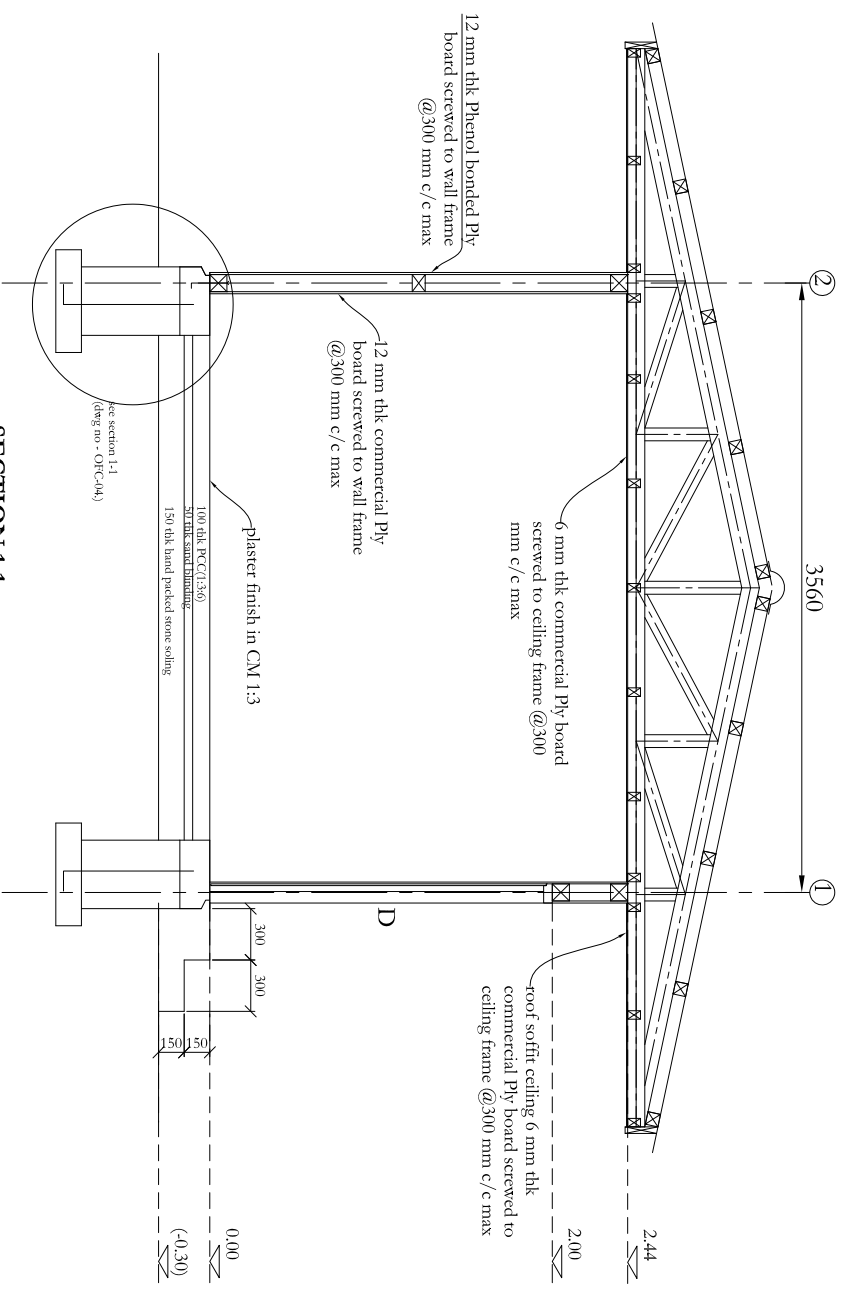
PROJECT NO:

DATE: **AUG, 2021**

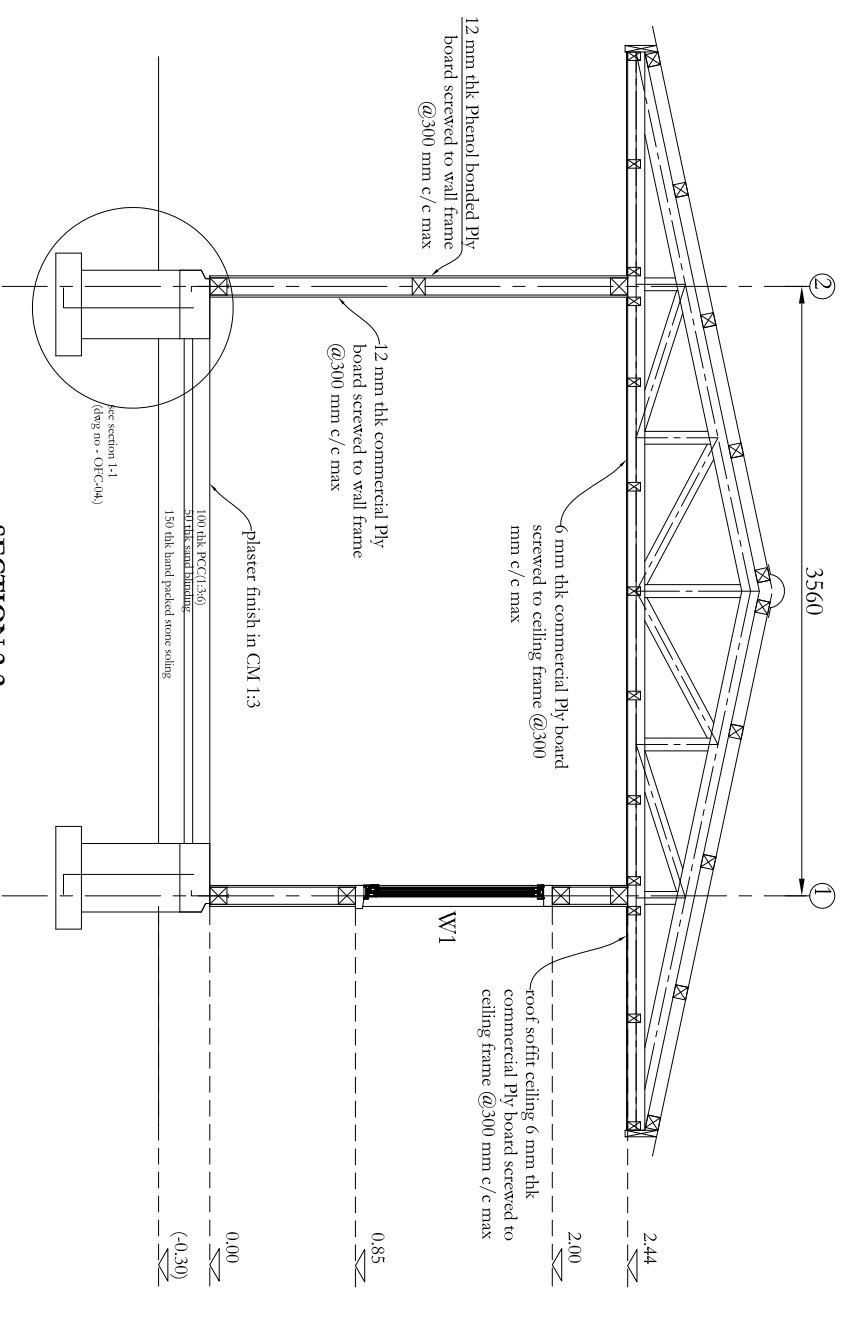
MADE:

DWG NO: **OFC-02**

REV:



SECTION 1-1



SECTION 2-2

- NOTES:**
1. All dimensions are in mm.
 2. All grid lines are wrt superstructure wall center lines.
 3. All levels are in meters.
 4. Drawings not to be scaled and written dimensions to be followed.

This drawing is the property of L&T Infrastructure Engineering Ltd. and shall not be used or reproduced in any form without the prior written permission of the company. It is not to be copied or otherwise made use of either in full or in part by such person or body without our prior permission in writing.

CLIENT: **ROYAL GOVERNMENT OF BHUTAN**
 Department of Air Transport | Ministry of Information and Communications

DESIGN CONSULTANT:
L&T Infra
 L&T Infrastructure Engineering Ltd.
 7C2 BHEL ROAD, KOLKATA-700016
 INDIA
 T: +91 98201 23456 | F: +91 98201 23456
 E: info@l&tinfra.com | Website: www.l&tinfra.com

In JV With
UNITED CONSULTANCY
 61, JANGSAM TANK, CHANGANGWHA
 THIMPHU, BHUTAN
 T: +975 975 22222 | F: +975 975 22222
 E: info@ucb.com | Website: www.ucb.com

PROJECT: **DESIGN OF RESURFACING AND EXTENSION OF RUNWAY AT BUNTHANG DOMESTIC AIRPORT**

CLIENT: **DEPARTMENT OF AIR TRANSPORT (DOAT), MINISTRY OF INFORMATION AND COMMUNICATIONS, ROYAL GOVERNMENT OF BHUTAN**

DRAWING: **SITE OFFICE**

TITLE: **SECTIONS**

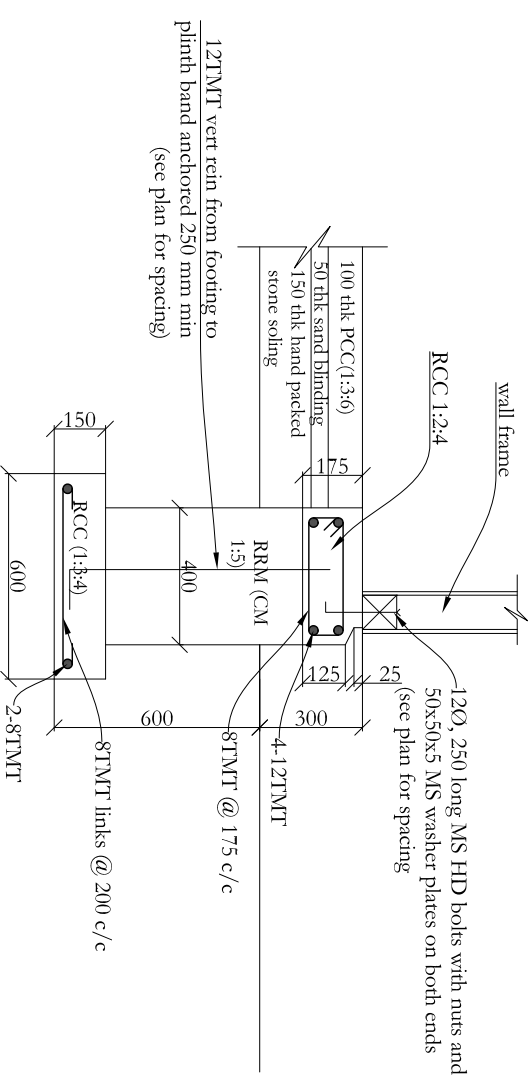
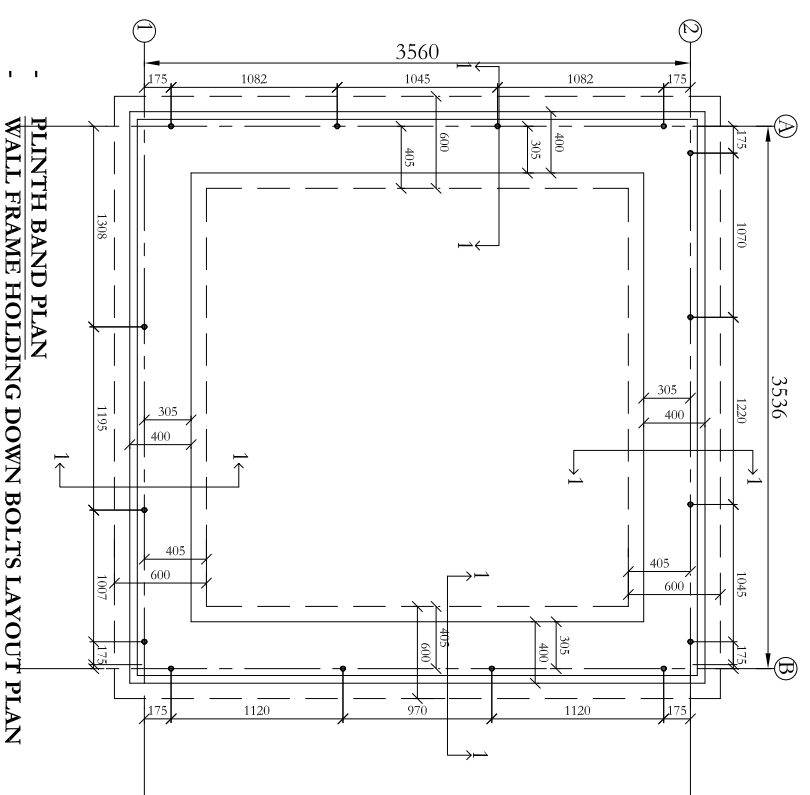
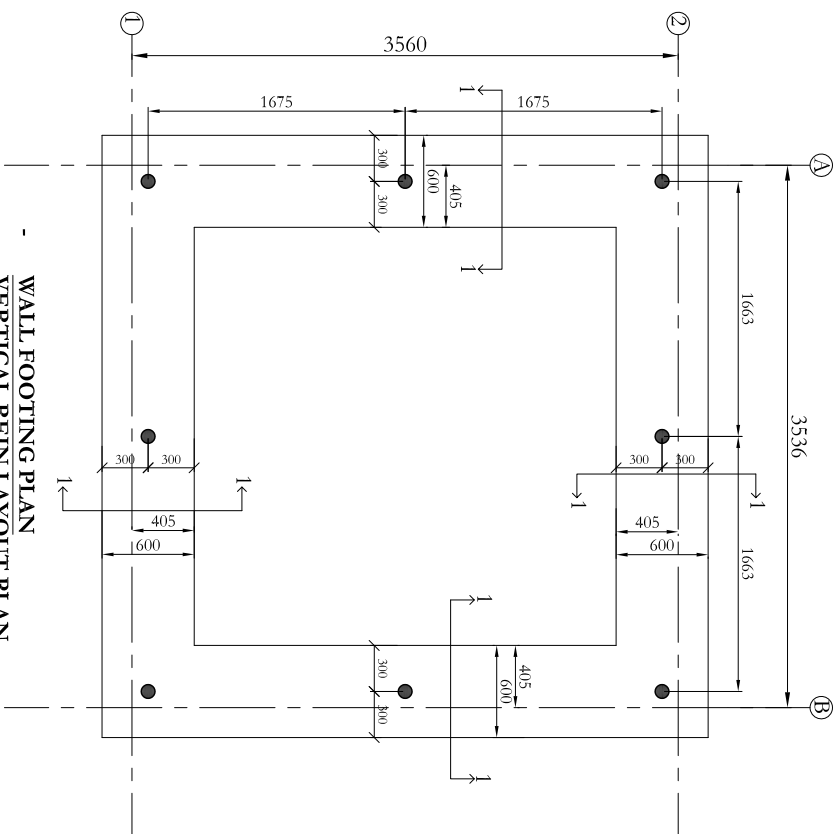
PROJECT NO: _____

DATE: **AUG, 2021**

MADE: _____

DWG NO: **OFC-03**

REV: _____



SECTION 1-1

- NOTES:**
1. All dimensions are in mm.
 2. All grid lines are wrt superstructure wall center lines.
 3. All levels are in meters.
 4. Drawings not to be scaled and written dimensions to be followed.

CLIENT: ROYAL GOVERNMENT OF BHUTAN

DESIGN CONSULTANT: L&I Infra

ROYAL GOVERNMENT OF BHUTAN
Department of Air Transport | Ministry of Information and Communications

ROYAL GOVERNMENT OF BHUTAN
In JV With
L&I Infra
L&I Infra Engineering Ltd
7C2 BHEL ROAD, KOUNTOPONG, MAXALEE ROAD, KOUNTOPONG, MAXALEE ROAD, KOUNTOPONG, MAXALEE ROAD
E-mail: royal@l&iinfra.com, www.l&iinfra.com

UNITED CONSULTANCY
61 JANGSAM TANK CHANGANGKHA
THIMPHU, BHUTAN
TELEPHONE: +975 91 222111 FAX NO: 323884
E-mail: royal@united.com

PROJECT: DESIGN OF RESURFACING AND EXTENSION OF RUNWAY AT BUNTHANG DOMESTIC AIRPORT

CLIENT: DEPARTMENT OF AIR TRANSPORT (DOAT) MINISTRY OF INFORMATION AND COMMUNICATIONS, ROYAL GOVERNMENT OF BHUTAN

DRAWING: SITE OFFICE

TITLE: FOUNDATION PLAN AND DETAILS

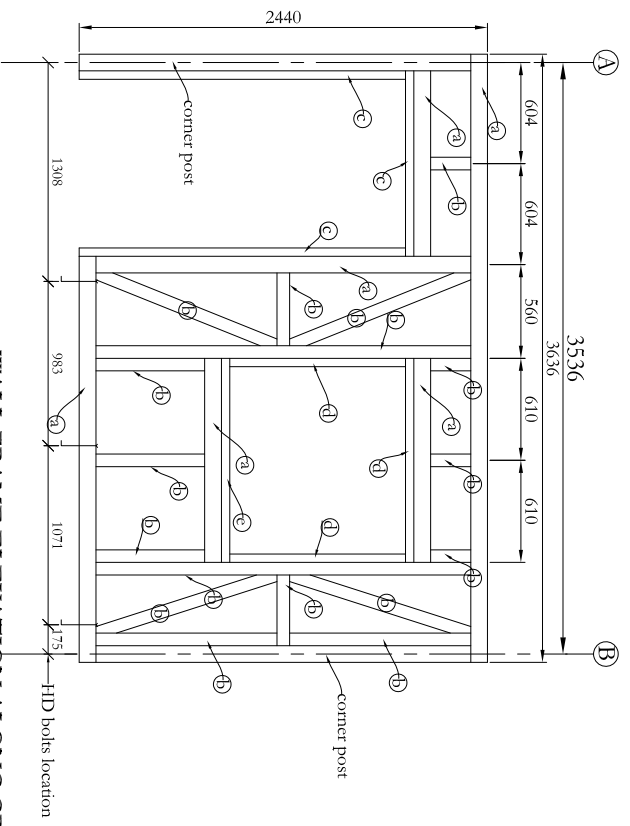
PROJECT NO:

DATE: AUG, 2021

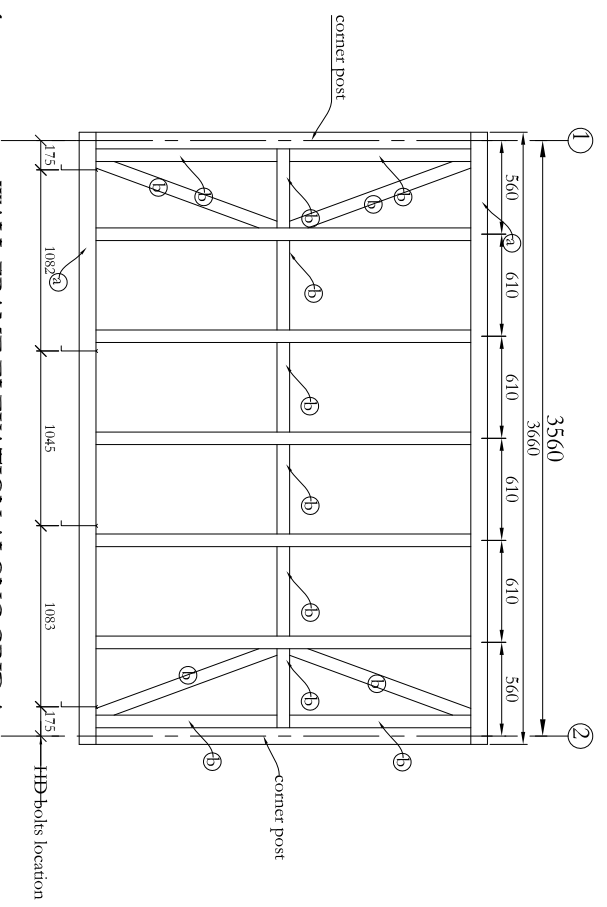
MADE: DWG NO: OFC-04

REV:

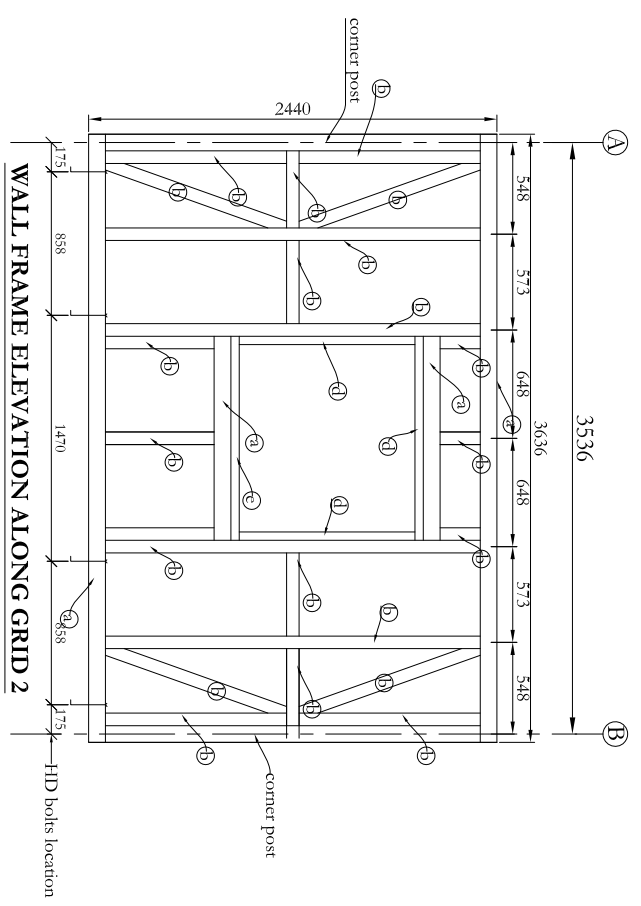
This drawing is the property of L&I Infrastructure Engineering Ltd. and must not be passed on to any person or body not authorised by us to receive it nor be copied or otherwise made use of either in full or in part by such person or body without our prior permission in writing.



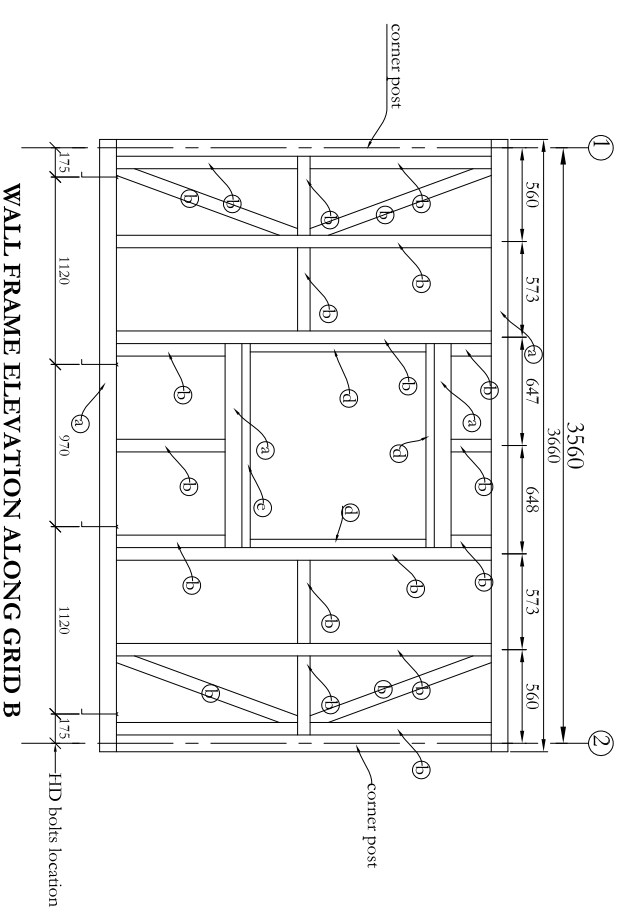
WALL FRAME ELEVATION ALONG GRID 1



WALL FRAME ELEVATION ALONG GRID A



WALL FRAME ELEVATION ALONG GRID 2



WALL FRAME ELEVATION ALONG GRID B

member no	Size(mm)	profile
a	100x100	
b	100x75	
c	115x50	
d	125x50	
e	135x50	

- Notes:
- All members to be of Local hard wood(MC)
 - The vertical members shall be butt jointed to top and bottom runners with 2 nos 3" long wire nails on each side.
 - The HD bolts shall be 12Ø, 250 long MS bolts provided with nuts and MS washer plate of size 50x50x5mm on both ends

CLIENT: ROYAL GOVERNMENT OF BHUTAN
 Department of Air Transport | Ministry of Information and Communications

DESIGN CONSULTANT: L&I Infracore Engineering Ltd.
 100, NANTHANG MAJALEE ROAD, THIMPHU, BHUTAN
 T: +975 31 222222 | F: +975 31 222222
 E: info@l&iinfra.com | Website: www.l&iinfra.com

PROJECT: DESIGN OF RESURFACING AND EXTENSION OF RUNWAY AT BUNTHANG DOMESTIC AIRPORT

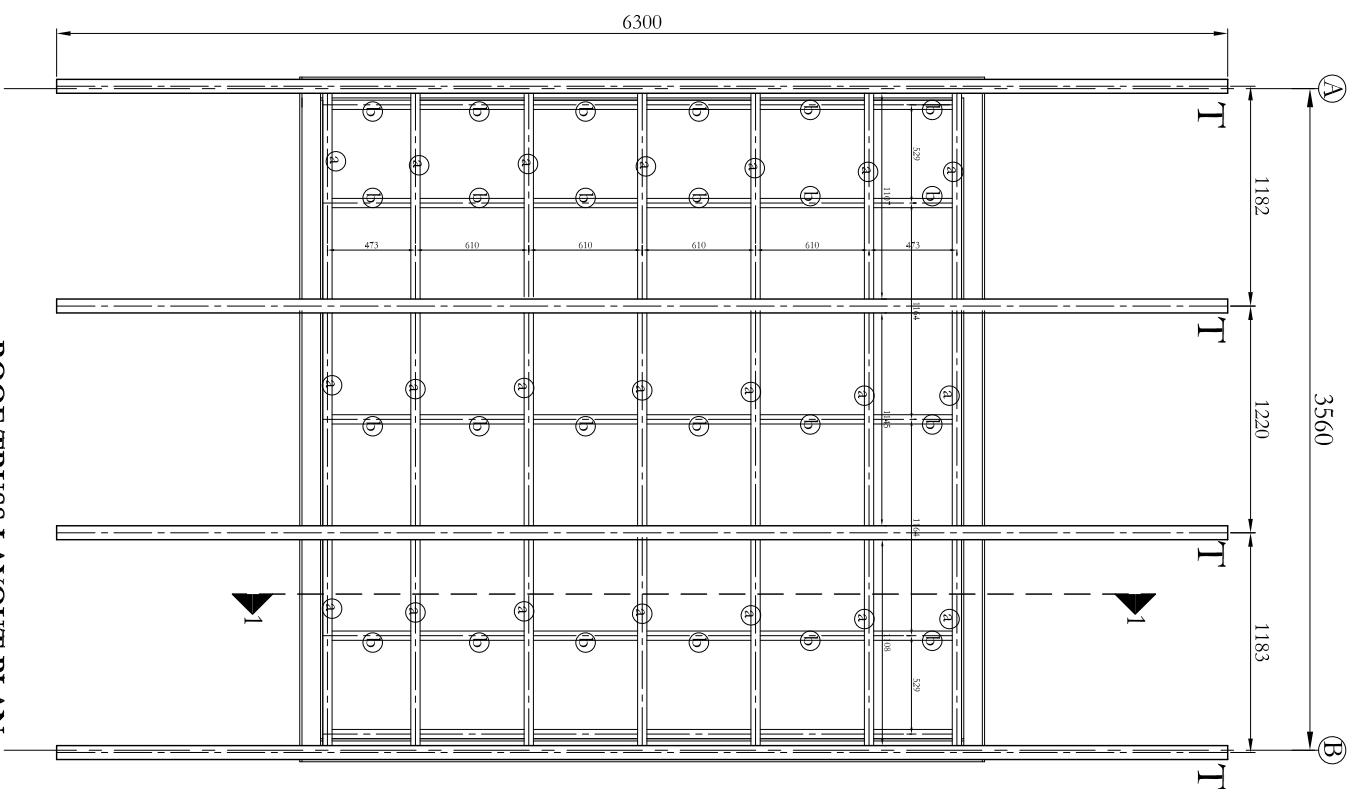
CLIENT: DEPARTMENT OF AIR TRANSPORT (DOAT), MINISTRY OF INFORMATION AND COMMUNICATIONS, ROYAL GOVERNMENT OF BHUTAN

TITLE: WALL FRAMING DETAILS

PROJECT NO: DATE: AUG, 2021

MADDE: DWG NO: OFC-05

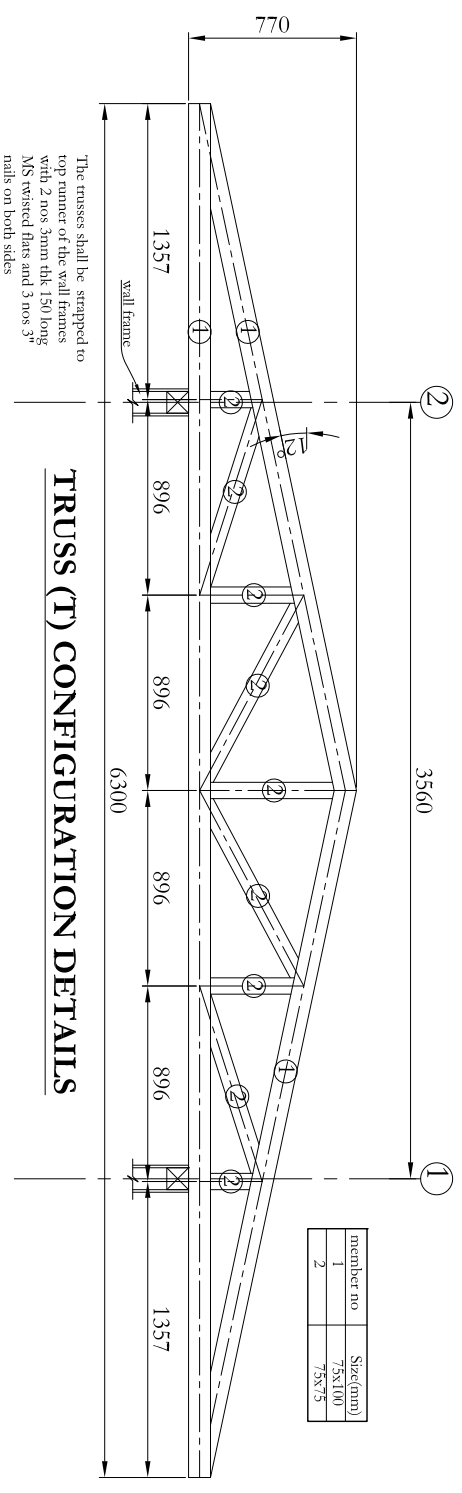
This drawing is the property of L&I Infrastructure Engineering Ltd. and shall not be used for any other project without our prior permission in writing.



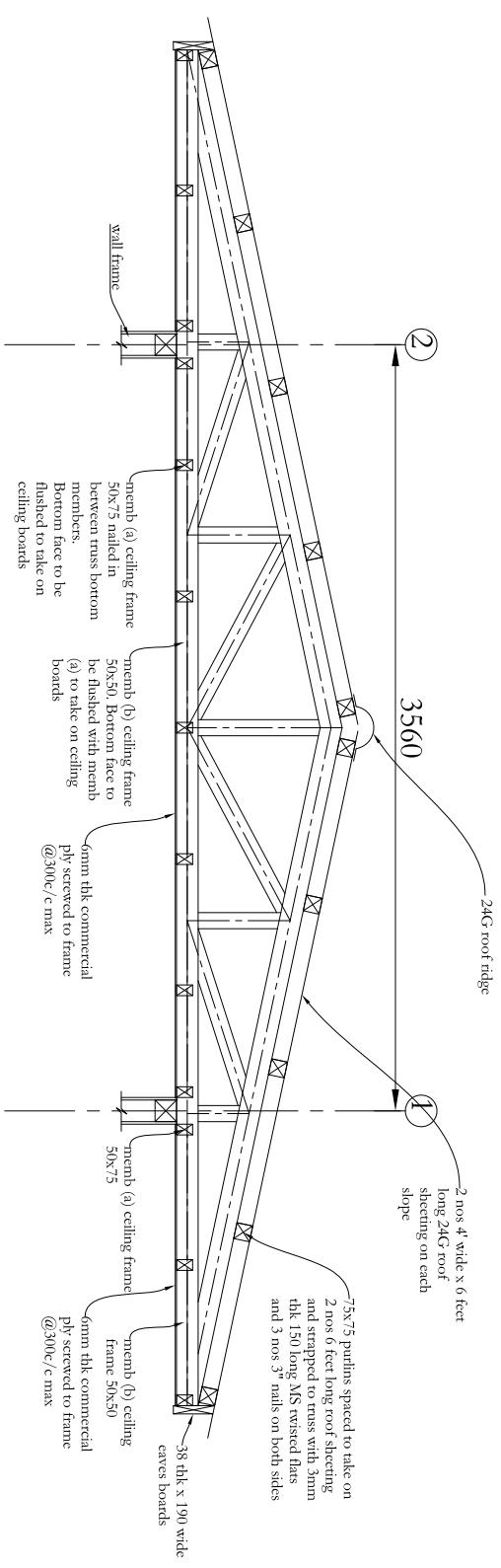
ROOF TRUSS LAYOUT PLAN
-
CEILING FRAME LAYOUT PLAN

Notes:

1. Gable end truss outer face to be flushed with the top runner of the wall frame
2. The Gable ends shall be boarded like the wall faces.
3. The soffits of the gable ends, below the extended purlins shall be provided with ceiling boards same as in other ceiling areas



TRUSS (T) CONFIGURATION DETAILS



SECTION 1-1

This drawing is the property of L&T Infrastructure Engineering Ltd. and shall not be passed on to any person or body not authorised by us to receive it nor be copied or otherwise made use of either in full or in part by such person or body without our prior permission in writing.

CLIENT: ROYAL GOVERNMENT OF BHUTAN

DESIGN CONSULTANT: L&T Infra
L&T Infrastructure Engineering Ltd.
7C2 BHEL ROAD, KOLIKATA
700016, WEST BENGAL, INDIA
E-mail: road@l&tinfra.com, Website: www.l&tinfra.com

In JV With: UNITED CONSULTANCY
61, JANGSAM TANK, CHANGANGWADA
THIMPHU, BHUTAN
TEL: +975 975 221111 FAX NO: 223884
E-mail: ucsc@unitedconsultancy.com

ROYAL GOVERNMENT OF BHUTAN
Department of Air Transport | Ministry of Information and Communications

PROJECT: DESIGN OF RESURFACING AND EXTENSION OF RUNWAY AT BUNTHANG DOMESTIC AIRPORT

CLIENT: DEPARTMENT OF AIR TRANSPORT (DOAT), MINISTRY OF INFORMATION AND COMMUNICATIONS, ROYAL GOVERNMENT OF BHUTAN

DRAWING: SITE OFFICE

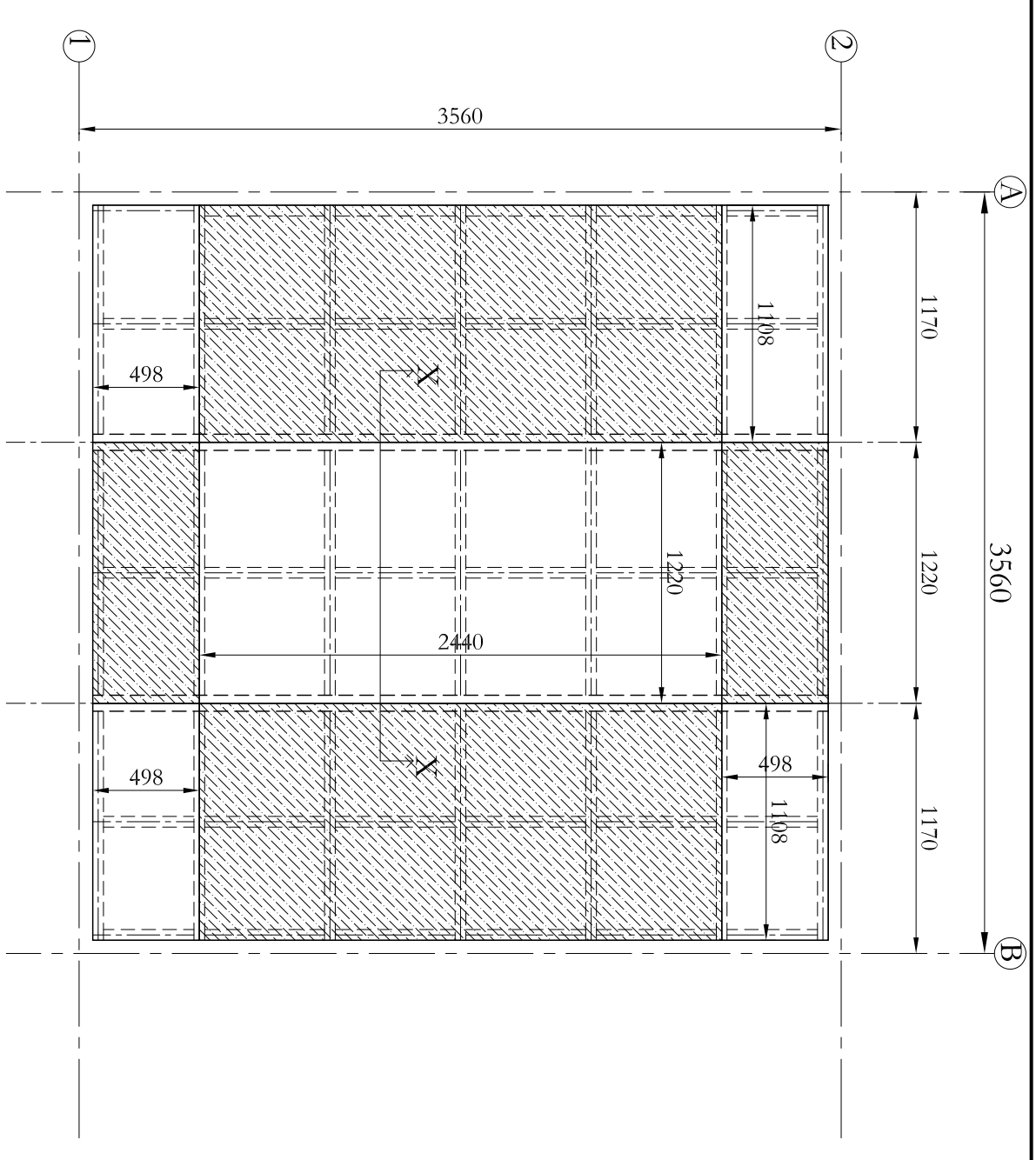
TITLE: TRUSS LAYOUT AND DETAILS

PROJECT NO:

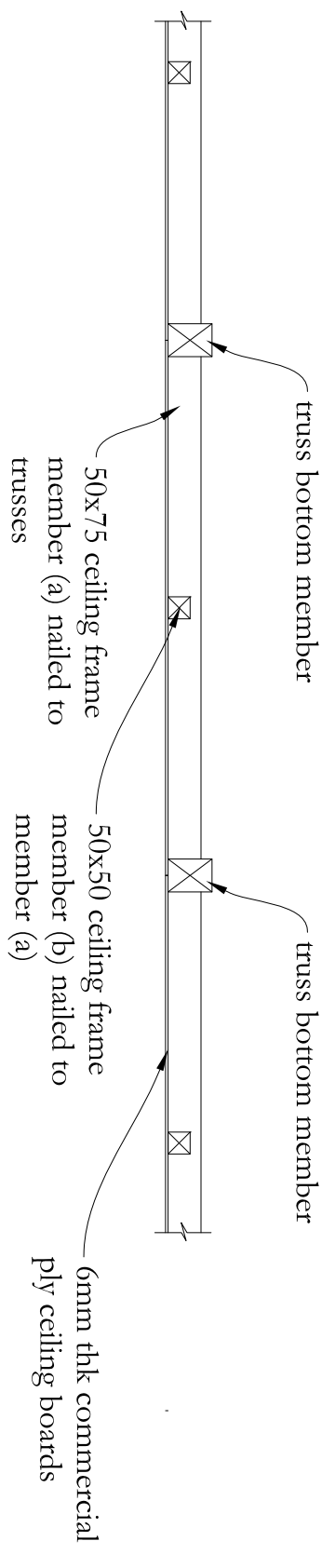
DATE: AUG, 2021

MADE: DWG NO: OFC-06

REV:



REFLECTED CEILING BOARDING PLAN



SECTION X-X

This drawing is the property of L&T Infrastructure Engineering Ltd. and must not be passed on to any person or body not authorised by us to receive it nor be copied or otherwise made use of either in full or in part by such person or body without our prior permission in writing.

CLIENT: ROYAL GOVERNMENT OF BHUTAN

DESIGN CONSULTANT: L&T Infra
 L&T Infrastructure Engineering Ltd
 7C2 BHEL ROAD, KOUNTSPOONMAYALEE ROAD, THIMPHU, BHUTAN
 Phone: +975 9747 1111 Fax: +975 9747 1112
 E-mail: road@l&tinfra.com, media@l&tinfra.com

In JV With
 UNITED CONSULTANCY
 61 JANGSAM LAM CHANGANGWADA THIMPHU, BHUTAN
 Phone: +975 9747 1111 Fax: +975 9747 1112
 E-mail: ucsteam@gmail.com

ROYAL GOVERNMENT OF BHUTAN
 Department of Air Transport | Ministry of Information and Communications

PROJECT: DESIGN OF RESURFACING AND EXTENSION OF RUNWAY AT BUNTHANG DOMESTIC AIRPORT

CLIENT: DEPARTMENT OF AIR TRANSPORT (DOAT) MINISTRY OF INFORMATION AND COMMUNICATIONS, ROYAL GOVERNMENT OF BHUTAN

DRAWING: SITE OFFICE

TITLE: INTERNAL CEILING BOARDING PLAN

PROJECT NO:

DATE: AUG, 2021

MADE:

DWG NO: OFC-07

REV: